

ZANUSSI

**Instructions
for use and care
of Z18/8R - ZC18/8R
refrigerator/freezer**

Installation

Foreword

If you are discarding an older appliance with a spring lock please ensure that the lock is made unusable to avoid accidents to young children.

Electricity Supply

The appliance is for operation on a 220/240 V. 50 Hz supply, so be sure that your electricity supply voltage is within the range marked on the nameplate located inside the cabinet.

Earthing

WARNING: THIS APPLIANCE MUST BE EARTHED. The manufacturer declines any liability should this safety measure not be observed.

If the plug that is fitted to your appliance is not suitable for your socket outlet, it must be cut off and the appropriate plug fitted. The cut off plug should be disposed of to prevent the hazard of electric shocks in case it should be plugged into a 13 Amp socket in another part of your home.

Electrical connection

IMPORTANT: The wires in this mains lead are coloured in accordance with the following code:

GREEN AND YELLOW - EARTH

BLUE - NEUTRAL

BROWN - LIVE

If you fit your own plug, the colours of the wires in the mains lead of your appliance may not correspond with the markings identifying the terminals in your plug, this is what you have to do: Connect the green and yellow (earth) wire to the terminal in the plug which is marked with the letter "E" or the earth symbol \perp , or coloured green, or green and yellow.

Connect the blue (neutral) wire to the terminal in the plug which is marked with the letter "N" or coloured black.

Connect the brown (live) wire to the terminal which is marked with the letter "L" or coloured red.

The plug moulded on to the cord incorporates a fuse. For replacement use a 13 Amp BS 1362 fuse. Only ASTA approved fuses should be used.

The fuse cover/carrier must be replaced in the event of changing fuse.

The right fuse cover/carrier colour is the one shown by the coloured insert at the base of the plug.

The plug must not be used if the fuse cover/carrier is lost.

A replacement cover/carrier must be obtained from Zanussi Service Agents whose addresses are listed on the attached "Zanussi Service and Spares Nationwide". This appliance complies with E.E.C. directive No. 76/889 of 4.11.76 relative to radio interference suppression.

Some models have the main terminal board of the type shown in fig.1. To gain access to the terminals of the supply cable, remove the lid from the terminal board by releasing the two catches-"A" and "B" Fig.1 with the aid of a small blade screwdriver.

Location

Place the appliance away from all heat sources, such as: radiators, heating stoves, direct sunlight, etc. Best results are obtained with a room temperature ranging between $+16^{\circ}\text{C}$ and $+32^{\circ}\text{C}$ (for "class N" appliances). Make sure that there is nothing at the back or on top of the appliance to obstruct air circulation. Two adjustable feet at the cabinet base make it possible to accurately level the appliance.

Rear spacers

In the plastic envelope containing the Operating Instructions are also included two wall spacers to be fitted into the special openings provided on the back of the appliance. Push-fit the spacers into the openings, making sure that arrow "A" is positioned as fig. 2 and then turn them through 45° until they lock in (arrow in vertical position).

Before using

Remove all securing tapes. Wash inside the appliance with lukewarm water and a little bicarbonate of soda (one teaspoonful to one quart of water). Do not use soap or detergent as the smell might linger. Dry thoroughly.

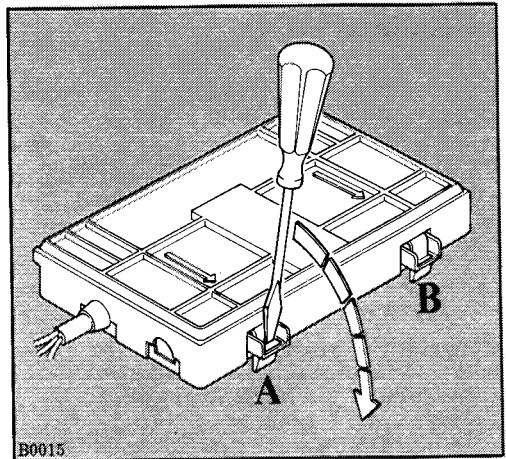


Fig. 1

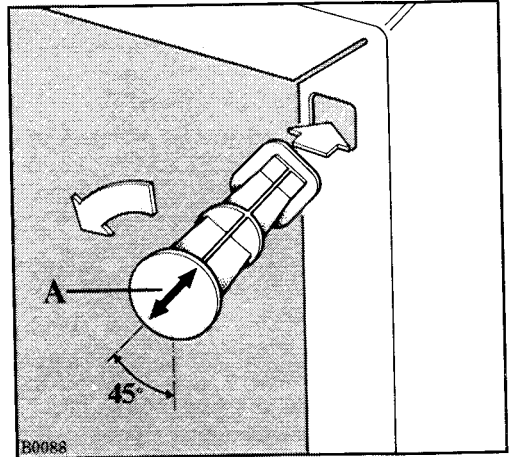


Fig. 2

Operation

Refrigerator/Freezer - Starting-up and Temperature Regulation

Insert the plug into the wall socket. Open the refrigerator door and turn the thermostat knob, to be found on the upper right side of the inner liner, clockwise, beyond the "●" or STOP position, to start the appliance.

Temperature adjustment is obtained by turning the thermostat knob to the required setting. A medium setting is generally the most suitable.

However, the thermostat knob setting should be adjusted depending on the temperature required inside the appliance. This, in turn, depends on a number of factors such as the ambient temperature, the number of times the door is opened, the quantity of food stored and the location of the appliance.

Turn the knob clockwise, to higher numbers, to obtain a lower temperature, or anticlockwise if a higher temperature is required.

Freezing fresh food

Net storage capacity:

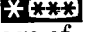
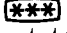
mod. Z 18/8R 225 litres

mod. ZC 18/8R 225 litres

Gross storage capacity:

mod. Z 18/8R 250 litres

mod. ZC 18/8R 250 litres

The 4-star compartment () is suitable for long term storage of commercially frozen food marked by the symbol () (i.e. for 3 months, unless otherwise stated by the manufacturer), and for freezing fresh food.

Do not exceed the storage times shown by the manufacturer on the commercially frozen food packets.

Under normal circumstances, to freeze fresh foods it is not necessary to change the setting of the thermostat knob with respect to the normal running position. However, for a quicker freezing operation, turn the thermostat knob to the coldest setting; but remember that, in this condition, the refrigerating compartment temperature might drop below 0°C. If this occurs reset thermostat knob to a warmer setting.

To help you make the most of the freezing process, here are some important hints:

Place the food to be frozen in the top basket of the freezing compartment as this is the coldest part.

The maximum quantity of food which can be frozen in 24 hrs is shown below:

Mod. Z18/8R kg. 3

ZC18/8R kg. 3

Only freeze top quality, fresh and thoroughly cleaned foodstuffs.

Prepare the fresh food in small portions to enable it to be rapidly and completely frozen and to make it possible subsequently to thaw only the quantity required at the time.

Wrap up the food in aluminium foil or polythene and make sure that the packages are airtight.

It is advisable to show on the single food packet or on the write-on produce strips

to be found on the front part of the storage baskets the freezing-in date to enable you to keep tab of the storage time.

Do not allow fresh, unfrozen food to touch food which is already frozen, thus avoiding a rise in temperature of the latter.

Important:

Do not put carbonated liquids (fizzy drinks, etc.) in the freezing compartment as they may burst.

Water ices, if consumed immediately after removal from the freezing compartment, can possibly cause the skin to be freeze burnt.

Remember that, once thawed, frozen food deteriorates rapidly.

Storage of frozen food

To obtain the best performance from this appliance, we strongly recommend that you make sure that the commercially frozen foodstuffs were adequately stored by the retailer and, furthermore, be sure that these frozen foodstuffs are transferred from the foodstore to the consumer in the shortest possible time (a temperature increase of the frozen food could shorten its storage period).

It is also advisable not to exceed the storage period indicated by the producer of the food.

Finally, do not open the door frequently or leave it open longer than is absolutely necessary.

If there is a power failure when food is in the freezer, do not open the door of the freezing compartment.

The frozen food will not be affected if the power cut is of short duration (a temperature increase of the frozen food could shorten its safe storage period), otherwise, it is recommended that the food should be used within a very short time.

Thawing

Deep-frozen or frozen food, prior to being used, can be thawed in the refrigerator compartment or at room temperature, depending on the time available for this operation.

Small pieces may even be cooked still frozen, directly from the freezer: in this case, cooking will take longer.

Fresh food refrigeration

To obtain the best performance, do not store warm food or evaporating liquids in the refrigerator; do cover or wrap the food, particularly if it has a strong flavour.

Do not cover the shelves with any protective material, such as paper, cardboard or plastic, which may obstruct the air circulation through them.

To help you use your refrigerator correctly, here are some more useful hints:

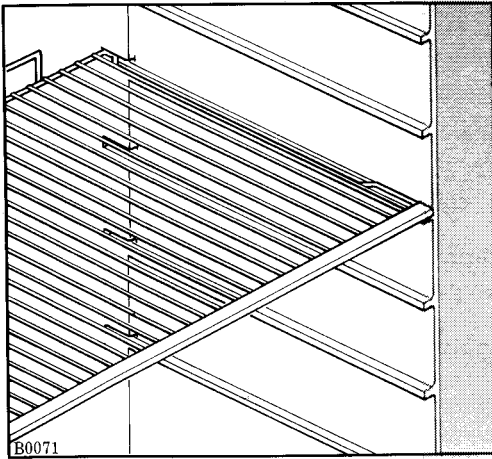
Raw meat (beef, pork, lamb & wild fowl): wrap in polythene bags and place on top of the salad crisper and, for safety, only store in this way for one or two days at the most.

Fruit & vegetables: these should be thoroughly cleaned and placed in the bottom salad crisper.

Butter & cheese: these should be placed in special airtight containers or wrapped in aluminium foil or polythene bags to exclude as much air as possible.

Milk bottles: these should have a cap and should be stored in the bottle rack on the door.

The inner walls of the refrigerator compartment incorporate a number of shelf-carrying runners which allow the shelves to be placed at various levels (Fig.3).



Drink-chiller

(For models incorporating this feature)

The drink-chiller, which - depending on the type of appliance - is located either on the inner door or on the inner liner ceiling of the refrigerator compartment, can easily be removed from its runners for filling up.

To draw out the drink, push the glass against the arms of the special dispenser tap. When the glass is removed, the tap closes automatically.

To clean the drink-chiller, fill with hot water, let it cool and rinse a few times. For a more accurate cleaning it would help adding a tablespoonful of bicarbonate of soda, then wash taking care to close and open the tap several times so as to clear it of any sugar deposits that may have formed. Empty the container and rinse with clean water.

Fig. 3

Defrosting

Frost is automatically eliminated from the evaporator of the refrigerator compartment every time the motor compressor stops, during normal use. The defrost water drains out through a trough (Fig. 4) into a special container (Fig.5) on the back of the appliance where it evaporates.

The freezer compartment, however, will become progressively covered with frost. This should be removed with the special plastic scraper provided, whenever the thickness of the frost exceeds "1/4". During this operation it is not necessary to switch off the power supply or to remove the foodstuffs. However, when the ice becomes very thick on the inner liner, complete defrosting should be carried out and it is advisable to carry out this operation when the appliance is empty.

To carry out complete defrosting of the freezer compartment ***-***** proceed as follows:

Remove any stored food, wrap it in several layers of newspaper and put it in a cool place.

Pull out the plug from the wall socket or turn the thermostat knob to the "●" setting.

Leave the door open.

Slide out from the front bottom part of the appliance the extension gutter and place underneath a basin to collect the defrost water (Fig. 6).

- When defrosting is completed, dry the interior thoroughly;

Replace the plug in the socket and, after letting the appliance run for at least half an hour, replace the previously removed food into the compartment.

Important:

A temperature rise of the frozen food packs, during defrosting, may shorten their safe storage life.

Never use sharp metal tools to scrape off frost from the evaporator as you could damage it by so doing.

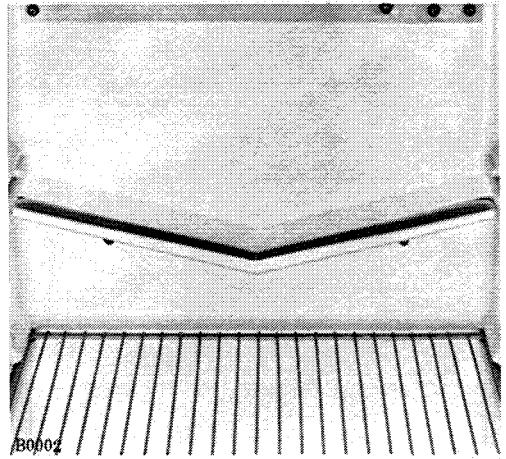


Fig. 4

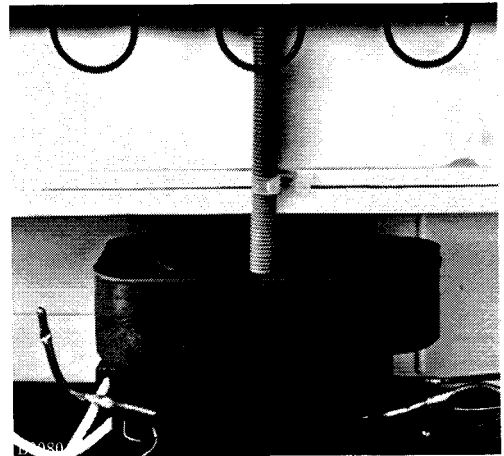


Fig. 5

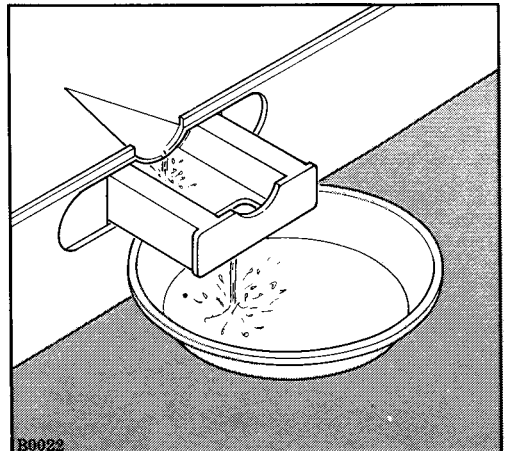


Fig. 6

Maintenance

Prior to undertaking any maintenance operation, be sure to unplug the appliance from the wall socket as a safety precaution.

Clean the interior periodically with lukewarm water and some bicarbonate of soda; the cabinet exterior with a Silicone wax spray; the condenser and the motor compressor with a brush or a vacuum cleaner.

Clean the drain hole of the defrost water through at regular intervals and make sure that this strain hole is never obstructed, so that the defrost water may flow out freely.

During periods when the appliance is not in use, take the following precautions: unplug the appliance from the power supply;

remove all foodstuffs from the appliance; clean the interior and all accessories; leave the doors ajar to facilitate the circulation of air in the interior of the cabinet so as to prevent unpleasant odours from accumulating in the appliance.

Servicing

Should service be required for this appliance, contact your local Service Agent but before requesting service the following simple checks may save you inconvenience and expense:

Check that the plug is firmly in the wall socket;

Check that there is an electricity supply to the socket by plugging in another appliance;

If there are water drops on the bottom of the fridge compartment, check that the defrost water drain opening is not obstructed.

Turn the thermostat knob to maximum cold position;

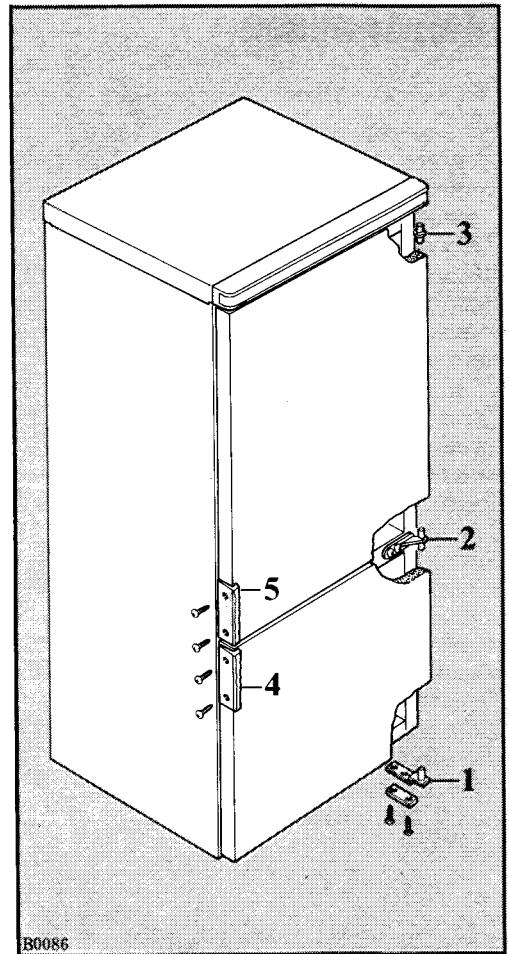
If your appliance is still not working properly after making the above checks, contact your Service Agent.

Door reversal directions (Fig. 7-7a)

Before carrying out the operations described below, pull out the mains plug from the wall socket.

To carry out this reversal go through the following steps:

- a) Remove bottom hinge 1;
- b) Slide out the lower door from middle hinge 2 and remove the latter;
- c) Slide out the upper door from pin 3, unscrew the latter and then screw it down into the hinge provided on the opposite side;
- d) Refit the upper door and the middle hinge on the opposite side;
- e) Refit the lower door and bottom hinge 1 on the opposite side (in case of model shown in fig. 7, unscrew levelling foot located on the left side and refit it on the right side).
- f) Remove handles 4-5 and refit them on the opposite side.



B0086

Fig. 7

Panelling the doors (only for models with door frames)

Proceed as follows to fit the door panels:
Take off the removable section of the door frame from the hinge side after unscrewing the securing screws;
Unloose, without removing them, all securing screws of the door frame.
Slide in, on the side from which the removable section of the door frame was taken off, the covering panel and push it in all the way.

Fasten again the frame to the door, including the previously removed detachable frame section.

Note: The door panels of the refrigerator & freezer compartments should have the following dimensions:

Refrigerator:	Width	538 mm
	Height	779 mm
	Thickness	4 mm
Freezer:	Width	538 mm
	Height	550 mm
	Thickness	4 mm

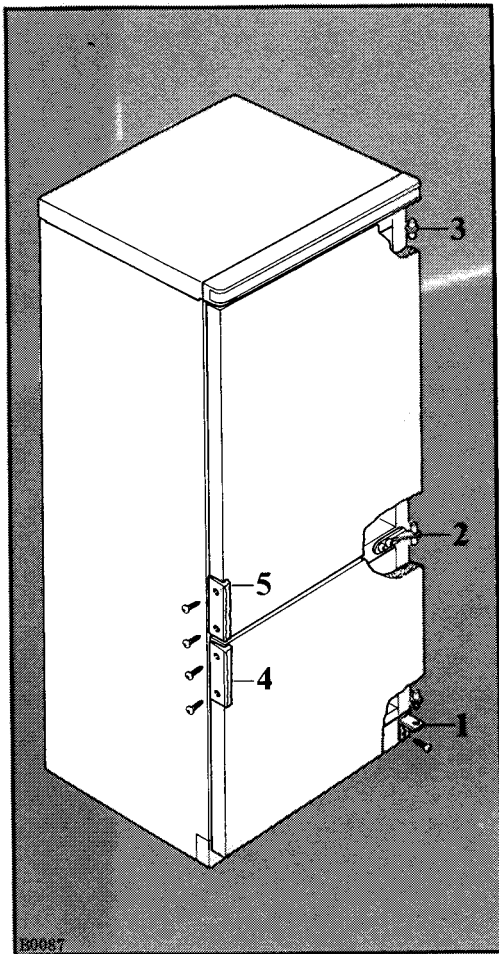


Fig. 7a



ZANUSSI STANDARD GUARANTEE CONDITIONS

This guarantee is in addition to your statutory and other legal rights which will not be excluded or in any way diminished by the return of the guarantee card.

We, IAZ International (UK) Ltd, undertake that if, within twelve months (24 months for TV sets) of the date of the purchase, this ZANUSSI appliance or any part thereof is proved to be defective by reason only of faulty workmanship or materials, we will, at our option, repair or replace the same **FREE OF ANY CHARGE** for labour, materials or carriage on condition that:

- The appliance has been correctly installed and used only on the electricity supply stated on the rating plate.
- The appliance has been used for normal domestic purposes only, and in accordance with the manufacturer's operating and maintenance instructions.
- The appliance has not been serviced, maintained, repaired, taken apart or tampered with by any person not authorised by us.
- The appliance is still in the possession of the original purchaser.

All service work under this guarantee must be undertaken by a Zanussi Network Service Centre (or the Zanussi Authorised TV Service Dealer).

Any appliance or defective part replaced shall become our property.

Exclusions

This guarantee does not cover:

- Damage or calls resulting from transportation, improper use or neglect, the replacement of any light bulbs or removable parts of glass or plastic.
- Costs incurred for calls to put right machines improperly installed or calls to machines outside the UK and the Republic of Ireland.
- Appliances found to be in use within a commercial environment, plus those which are the subject of rental agreements.
- Television receivers - routine adjustment, or poor reception resulting from a source outside of the receiver.



ZANUSSI 5 YEAR COVER CONDITIONS

For a once-only payment you can extend your Standard Guarantee to 5 years. All the conditions and exclusions of the Standard Guarantee apply.

Notes

1. Products supplied as "seconds", refurbished, damaged or shop-soiled are not eligible for Zanussi 5 year cover.
2. The issue of a cover does NOT by virtue of our having done so, nullify the exclusions.
3. The Engineer will need to check the details of your Cover card and may make a charge for his services if it is not presented to him at the time of his call.
4. The date of purchase, or the date of initial payment (deposit) of the appliance will be deemed the date of commencement of cover.
5. Covers issued are not refundable or transferable.

ZANUSSI
The appliance of science